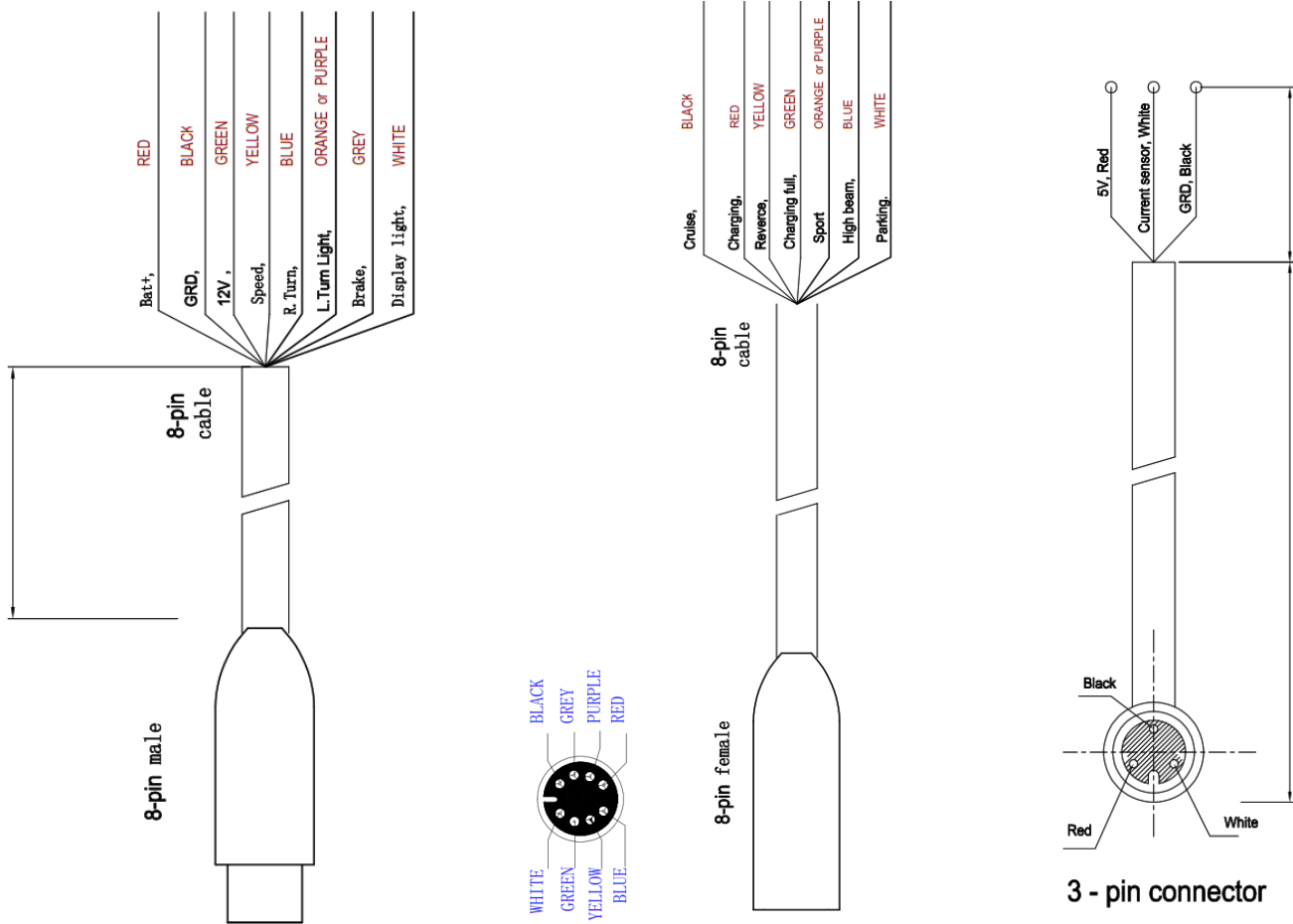


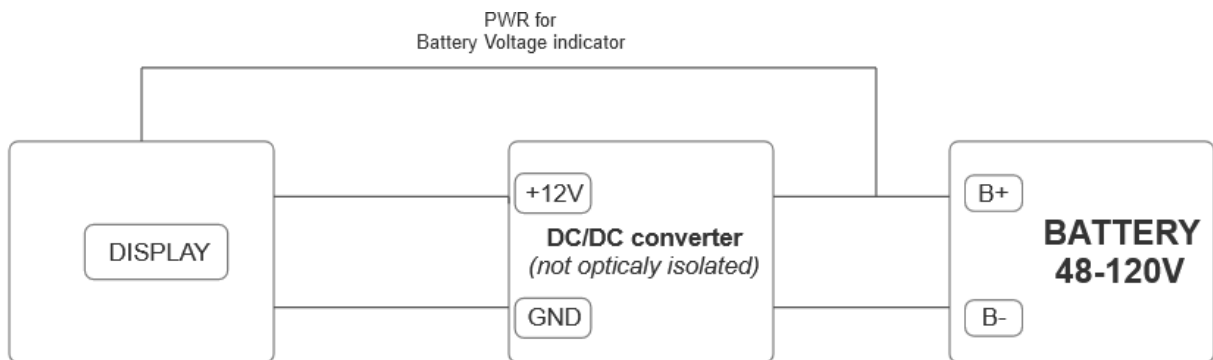
PIN OUT EXPLANATION



NOTES:

Please use Non Optically Isolated DC/DC converter. Explanation connection diagram below.

Ground [GDN] for Low Voltage 12V circuit & High Voltage [Battery SOC (State Of Charge)] is **GENERAL**.



* If DC/DC converter will be optically/galvanically isolated – Battery Voltage Indicator on the DISPLAY will not work.