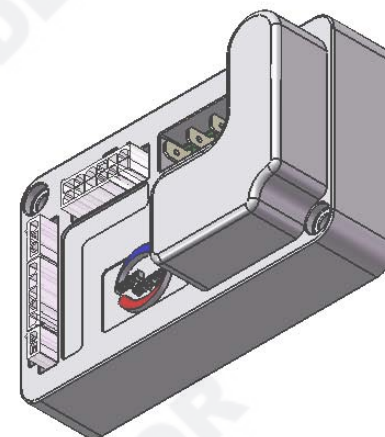
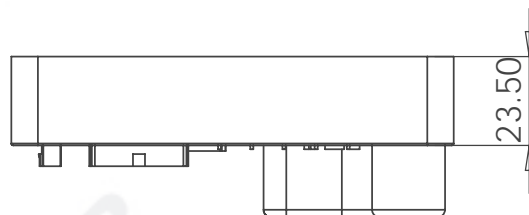
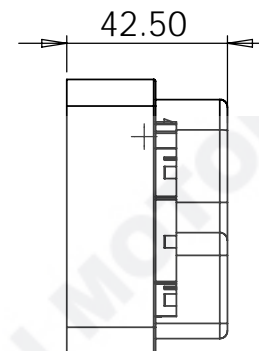
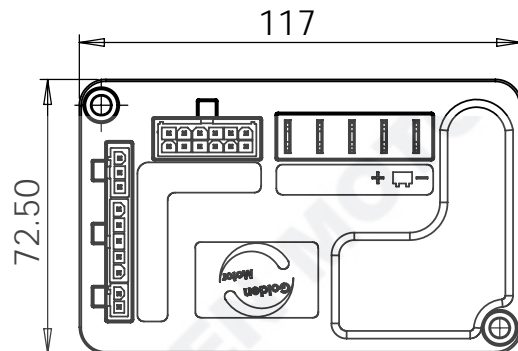


B L D C	Controller Type:	Brushless
	Voltage:	
	Watts:	



NOTE:
 1. ALL DIMENSIONS NOT SHOWN ARE THAT THE MANUFACTURES DISCRETION.
 2. ANY CHANGES MADE IN MATERIAL OR DIMENSIONS MUST BE APPROVED BY GOLDENMOTOR.

REL#:	BY: TOM	DATE: 24/10/08
USED ON: E-Bicycle		
SCALE: NONE	GOLDEN MOTOR	DRWN BY: TOM
SHEET: 1 OF 1		CHKD BY: TOM
TITLE: Brushless Controller		
MATRL:		PART NO.: